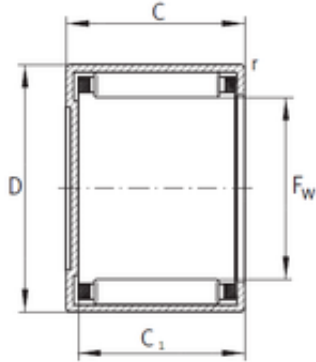




INA BCE3616 needle roller bearings



Bearing No. BCE3616

Size	57.15x66.675x25.4 mm
Bore Diameter	57,15 mm
Outer Diameter	66,675 mm
Width	25,4 mm
Fw	57,15 mm
D	66,675 mm
C	25,4 mm
Weight	0,12 Kg
Basic dynamic load rating (C)	50 kN
Basic static load rating (C0)	107 kN

BCE3616 Bearing 2D drawings and 3D CAD models