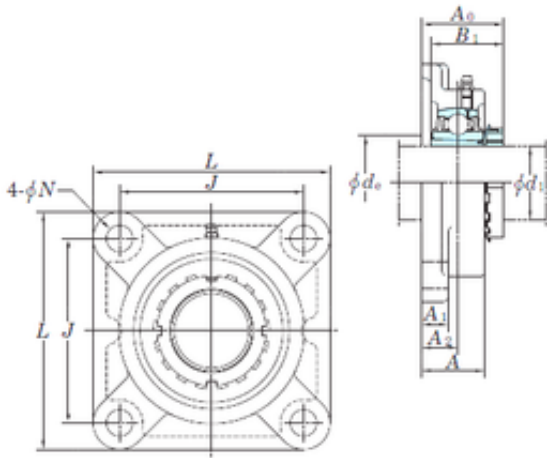




KOYO UKF322 bearing units



Bearing No. UKF322

Bore Diameter	101,6 mm
d	101,6 mm
A0	120 mm
A	96 mm
A1	35 mm
B1	105 mm
J	266 mm
L	340 mm
N	41 mm
Thread (G)	M36
A2	60 mm
Weight	35,2 Kg
Basic dynamic load rating (C)	205 kN
Basic static load rating (C0)	180 kN

UKF322 Bearing 2D drawings and 3D CAD models