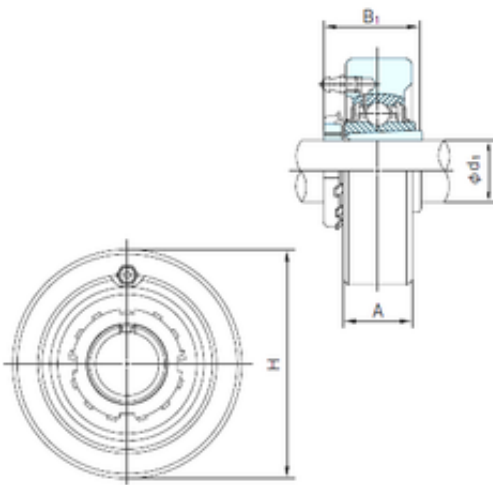




NACHI UKC318+H2318 bearing units

Bearing No. UKC318+H2318



| | |
|---------------|--------|
| Bore Diameter | 80 mm |
| Width | 225 mm |
| d | 80 mm |
| A | 66 mm |
| B1 | 86 mm |
| H | 225 mm |

UKC318+H2318 Bearing 2D drawings and 3D CAD models